

Data sheet

Art.No.: 55.703.0053.0

feed-through terminal WKMF 2,5/15

Feed-through terminal with tension spring connection for mounting on TS15 , nominal cross section: 2.5 mm², width: 5.1 mm, color: grey



Art.No.	55.703.0053.0
EAN	4015573671386
Order Unit	100

certificates / approvals



Technical data

general

nominal cross section	2.5 mm ²
color	grey
number of levels	1
number of clamp positions per level	2
width/grid dimension	5.1 mm
insulating housing	PA666
flammability class of insulation material acc. with UL94	V0
explosion-tested version "Ex e"	yes
mounting method	DIN rail (top hat rail) 15 mm
terminal blocks for electrical installations	yes

technical data

rated current	24 A
rated voltage	500 V
rated impulse voltage	6 kV
pollution degree	3
closing plate required	yes
type of insulation material	thermoplastic
length	35 mm

connection data

connection type 1	spring clamp connection
-------------------	-------------------------

connection type 2	spring clamp connection
minimum cross section solid	0.13 mm ²
maximum cross section solid	2.5 mm ²
minimum cross section fine stranded	0.13 mm ²
maximum cross section fine stranded	2.5 mm ²
wire strip length	10 mm

technical data UL/CSA

cross section UL	26-12 AWG
voltage UL	600 V
current factory wiring	20 A
current field wiring	20 A
cross section CSA	26-12 AWG
voltage CSA	300 V
current CSA	20 A

technical data ATEX

cross section fine-stranded	0,5 - 2,5
connectable conductor cross section solid	0,5 - 2,5

classification

ECLASS 11	
ECLASS 8.1	27141120
ETIM 9.0	EC000897
ETIM 8.0	EC000897
ETIM 7.0	EC000897
ETIM 6.0	EC000897
ETIM 5.0	EC000897
ETIM 4.0	EC000897

product compliance

ROHS conformity status	compliant
REACH-SVHC conformity status	compliant

Accessories

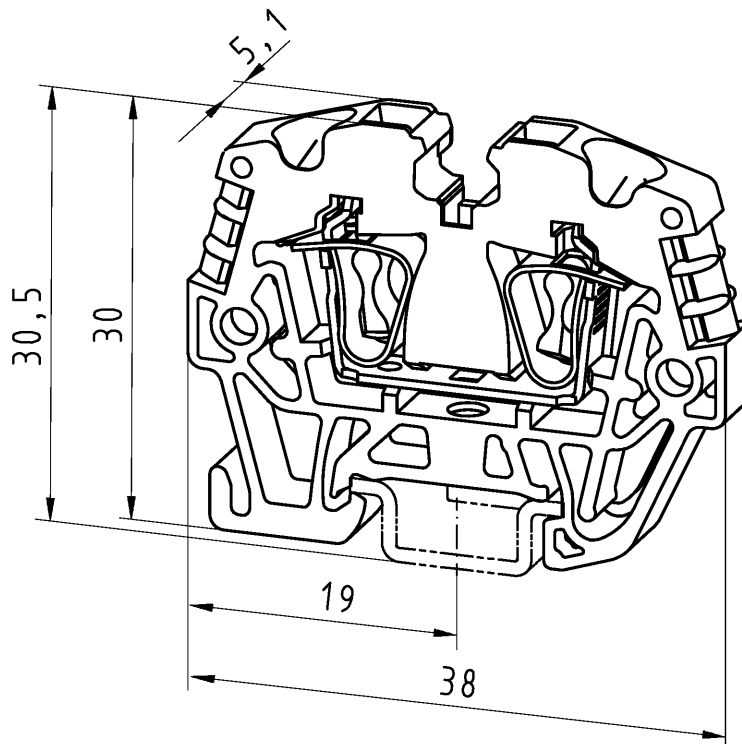
Art.No.:	Article/type description:	Description:
Z7.260.0229.0	jumper bar IVB WKMF 2,5- 2	Cross connector, insulated for DIN rail terminal blocks type WKMF..., 2 -pole
Z7.260.0329.0	jumper bar IVB WKMF 2,5- 3	Cross connector, insulated for DIN rail terminal blocks type WKMF..., 3 -pole
Z7.260.0429.0	jumper bar IVB WKMF 2,5- 4	Cross connector, insulated for DIN rail terminal blocks type WKMF..., 4 -pole
Z7.260.0529.0	jumper bar IVB WKMF 2,5- 5	Cross connector, insulated for DIN rail terminal blocks type WKMF..., 5 -pole
Z7.260.0629.0	jumper bar IVB WKMF 2,5- 6	Cross connector, insulated for DIN rail terminal blocks type WKMF..., 6 -pole
Z7.260.0729.0	jumper bar IVB WKMF 2,5- 7	Cross connector, insulated for DIN rail terminal blocks type WKMF..., 7 -pole
Z7.260.0829.0	jumper bar IVB WKMF 2,5- 8	Cross connector, insulated for DIN rail terminal blocks type WKMF..., 8 -pole

Z7.260.1029.0	jumper bar IVB WKMF 2,5- 10	Cross connector, insulated for DIN rail terminal blocks type WKMF..., 10 -pole
07.312.5953.0	end plate APMF 2,5/15	End plate for DIN rail terminal blocks type WKMF 2,5..., color: grey
04.242.5053.0	marking tag strips 9705 A / 5 / 10	Marking tag strips for DIN rail terminal blocks type 9700 A / 5..., 10 tags per strip, color: white, unmarked, markable with Wieplot plotter-system

A
 Weitergabe sowie Vervielfältigung dieses Dokuments, Verwertung und Mitteilung seines Inhalts sind verboten, soweit nicht ausdrücklich gestattet.
 The reproduction, distribution and utilization of this document as well as the communication of its contents to others without express authorization is prohibited.

B
 These dimensions will be especially checked at delivery
 Only inspection dimensions
 With JE marked dimensions are only valid for internal use

D
 Diese Maße werden bei Abnahme besonders geprüft
 Ausschließlich Prüfmaße
 Mit JE gekennzeichnete Maße sind nur für interne Zwecke gültig



Teile-Nr. part no.	Typ type	Farbe colour
55.703.0053.0	WKMF 2,5/15	grau/grey
55.703.0053.1	WKMF 2,5/15 SCHWARZ	schwarz/black
55.703.0053.5	WKMF 2,5/15 ROT	rot/red
55.703.0053.6	WKMF 2,5/15 BLAU	blau/blue
55.703.0053.7	WKMF 2,5/15 GRÜN	grün/green
55.703.0053.8	WKMF 2,5/15 GELB	gelb/yellow
55.703.0053.9	WKMF 2,5/15 ORANGE	orange/orange

Weitere Daten siehe KATALOG oder eKATALOG.
 Additional data see CATALOG or eCATALOG.

www.wieland-electric.com
eshop.wieland-electric.com

Tolerierung Size ISO 14405 (E) / Tolerance system Size ISO 14405 (E).
 (This ISO-standard describes the envelope principle. According to the envelope principle the deviations of form and parallelism are limited by the size tolerances).

ja/yes Stoffverbots- und Deklarationsliste nach WN 5020.010 ist einzuhalten.
 Conformity with Wieland document WN 5020.010 e (list of prohibited / declarable hazardous substances) to be declared!

Freitoleranz nach
 General tolerance

CAD - Zeichnung, keine manuellen Änderungen
 CAD - drawing, no manual modifications allowed

1. Verwendung:
 First Use:

Blatt: 1 von 1
 Sheet: of

	/		Werkstoff / Material		Tag/Date	Name	Zeichnung Nr. / Drawing No.		Index
	/				gezeichnet drawn	12.05.2003	Schmitt	T 55.703.0053.0 01K d	d
	/	Maßstab / Scale			Elektronische Freigabe Electronic Release		Maße in mm / Dimensions are in mm		
d	07.07.2022 /	/			Ersatz für / Replacement for:				
c	27.02.2007 /	Vol.	mm ³	Ofl./Srf.	mm ²				
b	06.08.2004 /			Type	Benennung/Tittle				
a	19.12.2003 /			WKMF	DURCHGANGSKLEMME				
Index	Datum / Blatt Date / Sheet			2,5/15..	terminal				
Änderung / Revision									